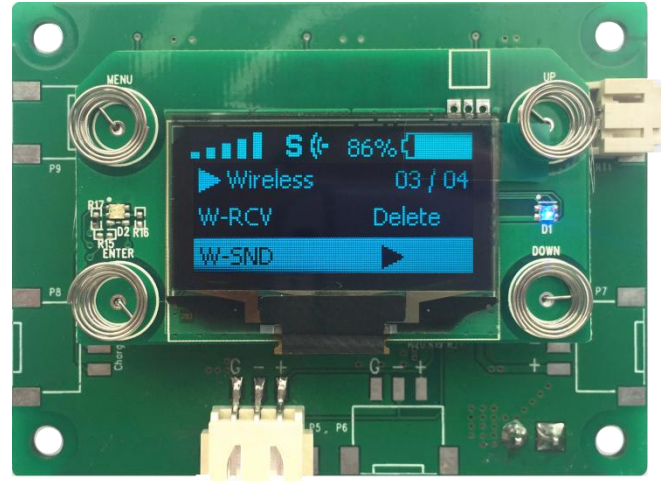


Wi-BAT-PWM-6

Wireless Battery Light Solution

- PCB size is only 54 x 31 mm, suitable for all types of wireless battery lights
- Integrated wireless DMX transceiver (supports WIDMX, G3, G4, G4S) and built-in PCB antenna
- 128 x 64 OLED, professional menu with 4 touch buttons, easy operate
- 6 PWM outputs
- Infrared receiver decoder
- Smart sound control for music visualization(FFT)
- Real-time measurement and display of signal strength, temperature and battery voltage
- Users can edit the chase effect, master-slave mode



Overview

Wi-BAT-PWM-6 is an ideal solution for wireless battery lights. It integrates a professional wireless transceiver, supports all wireless protocols and has the function of receiving signal strength indication.

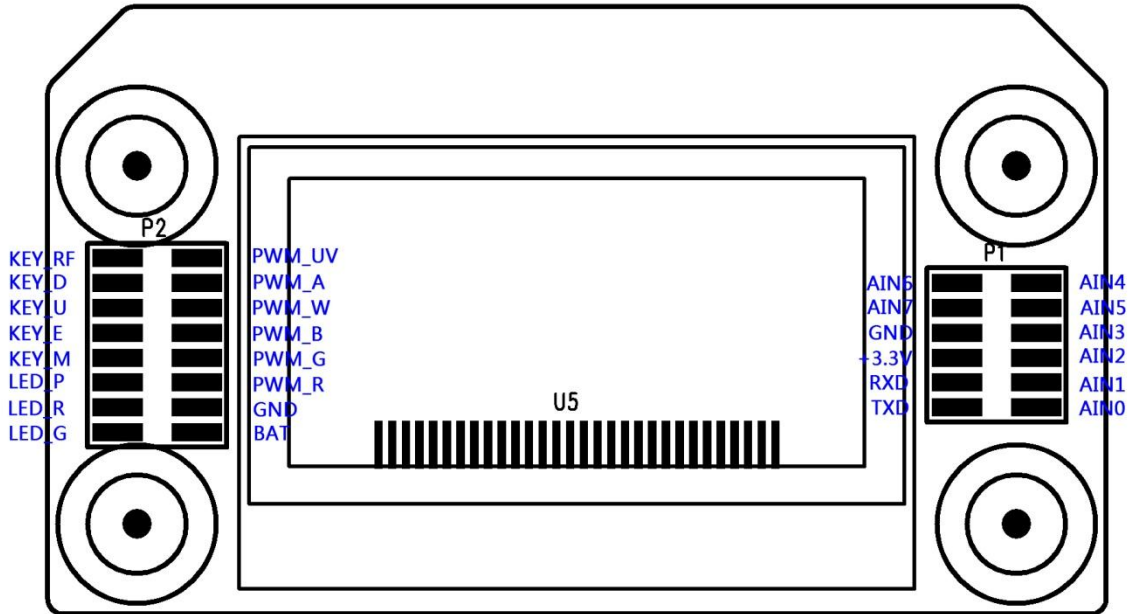
Wi-BAT-PWM-6 has 6 PWM outputs, professional voice control module, accurate battery indicator, touch button and infrared decoding function. All of these are integrated on a 54 x 31 mm PCB board. Make your design more flexible and install more convenient.

Wi-BAT-PWM-6 supports RDM protocol, which is convenient for remotely modifying fixture parameters and querying fixture status.

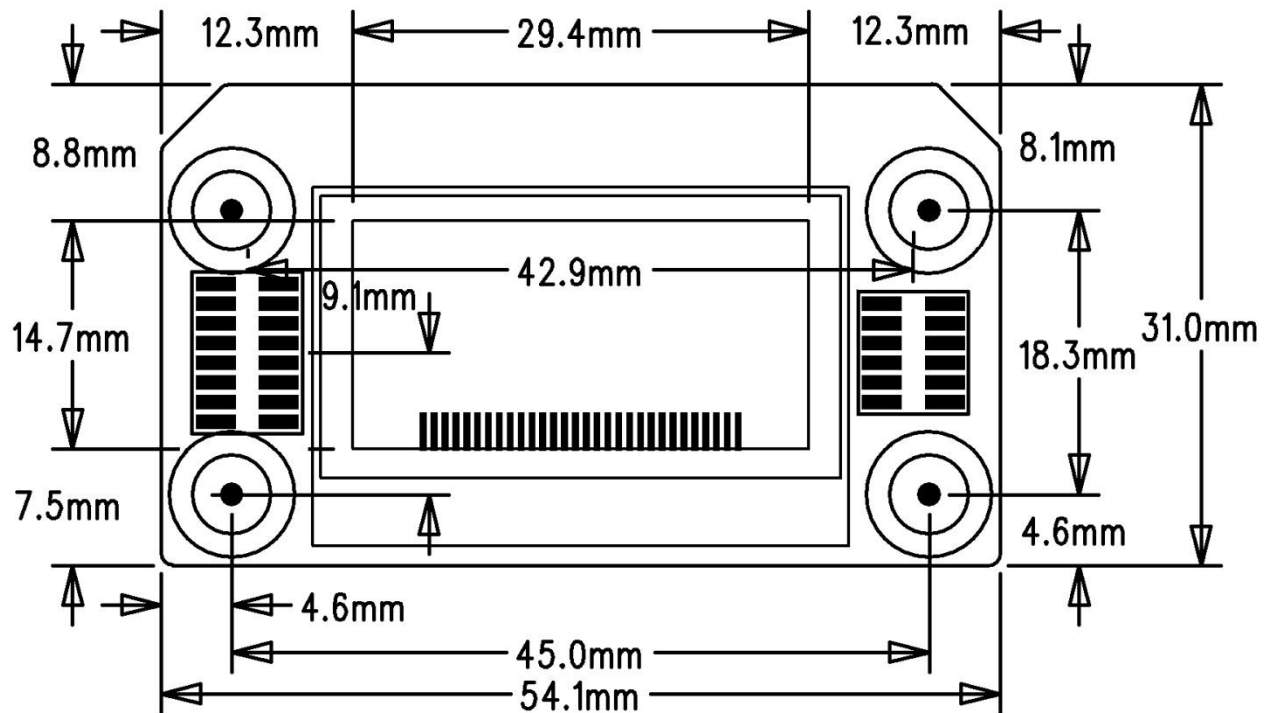
Application

- DMX wireless battery light solution

Pinout



Dimensional drawings



Specifications

Weight and Dimension

Dimension: 54 x 31 x 8 mm

Weight: 5 g

System Information

CPU: 32-bit ARM Core (Cortex-M4)

Radio Parameters

Range: 600 meters (line-of-sight)

Frequency: 2.402 - 2.480GHz, ISM, 79 channels

Spread Spectrum: FHSS, 1100 hops / sec

Modulation: GFSK

Maximum Transmit Power: 22dBm

Receiver Sensitivity: -96dBm

DMX Signal Interface

TTL

Environmental Limits

Operating Temperature: -40 ~ 85 °C

Storage Temperature: -65 ~ 150 °C

Ambient Relative Humidity: 5 to 95% (non-condensing)

Power Requirements

Power Input: DC 3.3V, ±5%

Power Consumption: 350 mA@3.3V DC max.

Reliability

Automatic Reboot Trigger: Built-in WDT (watchdog timer)

Warranty

Warranty: One-Year Limited Warranty